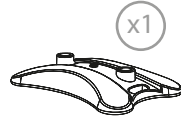
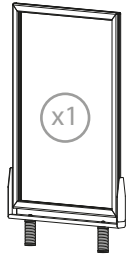
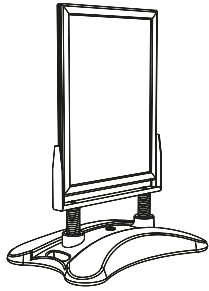


1. GRAPHIC + ANTIREFLECTION PROTECTOR PLACEMENT



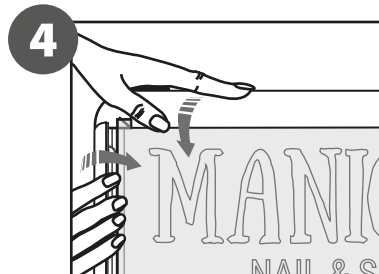
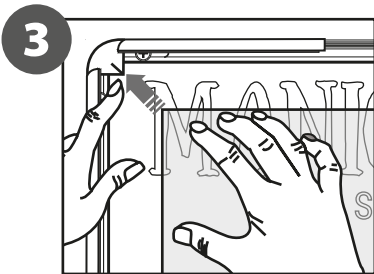
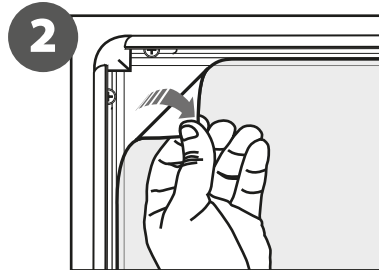
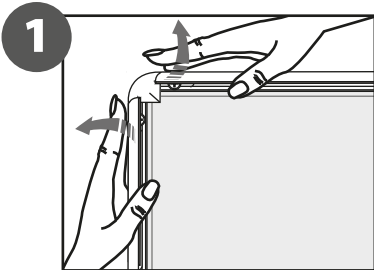
CONTENT



Open and check the content of the boxes and take out all the pieces carefully.

For setting-up the Sidewalk Board, you must place its graphics (supplied separately) to the upper Click Frame following the **next steps** describe below.

GRAPHIC ATTACHMENT BY CLICK FRAME



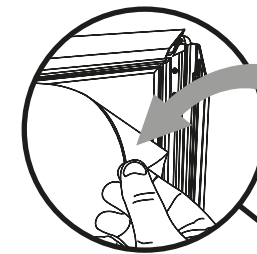
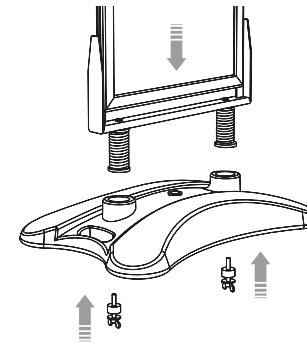
For those cases in which the graphic is **supplied by the client**, we recommend making use of the materials listed in the following **QR code** (scan for downloading Excel file). Please contact us or visit www.cashdisplay.com for more information.



2. SET UP SIDEWALK BOARD STRUCTURE

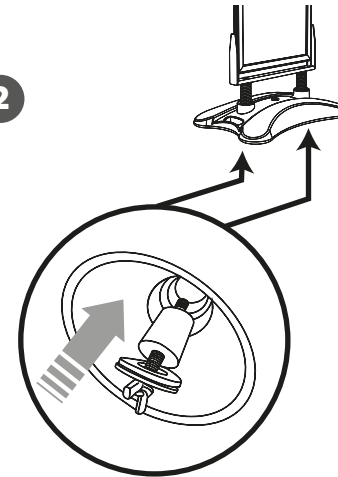


1

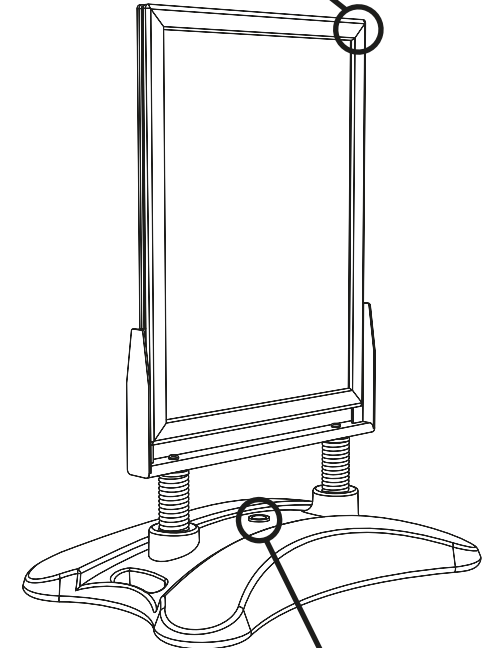
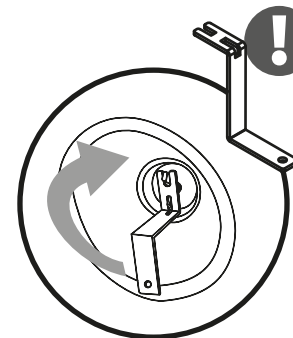


ANTIREFLECTION GRAPHIC PROTECTOR INCLUDED

2



4



FILL WITH SAND OR WATER

