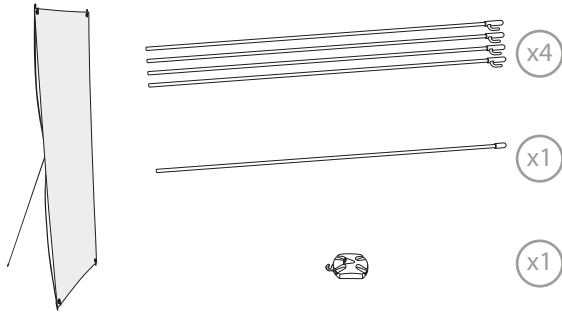


1. X-BANNER **CONTENT** AND GRAPHIC **PREPARATION**



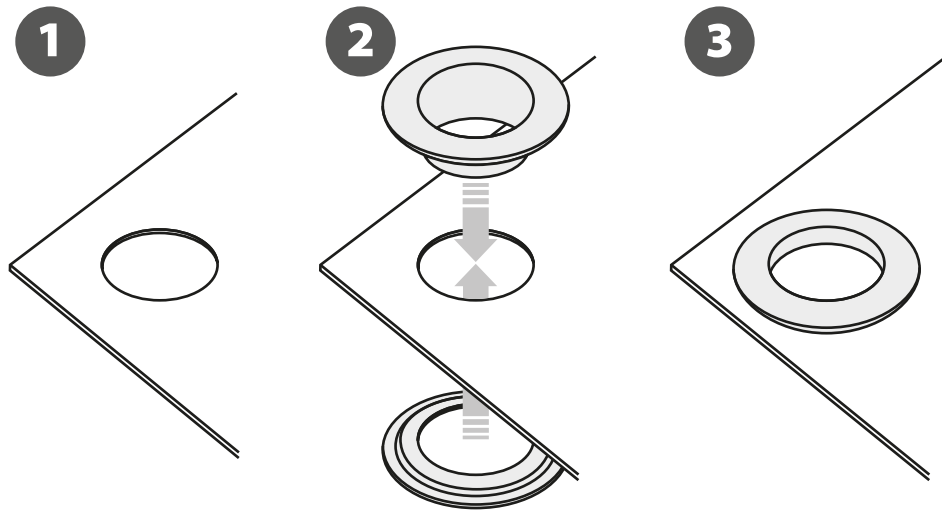
CONTENT



Open the bag, check the content of the bag and take out all the pieces carefully.

To set-up the X-banner, first you must attach four eyelets to graphic corners (supplied separately).

GRAPHIC ATTACHMENT **BY EYELETS**



For those cases in which the graphic is **supplied by the client**, we recommend making use of the materials listed in the following **QR code** (scan for downloading Excel file). Please contact us or visit www.cashdisplay.com for more information.



2. SET UP THE X-BANNER **STRUCTURE** AND GRAPHIC **ATTACHMENT**

