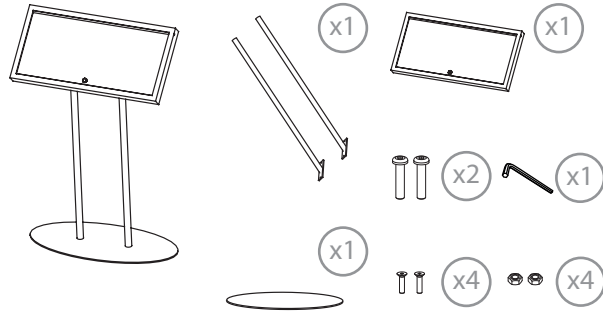


1. CONTENT + GRAPHIC



CONTENT

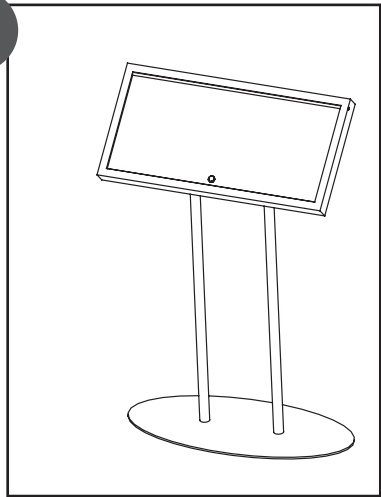


Open and check the content of the boxes and take out all the pieces carefully.

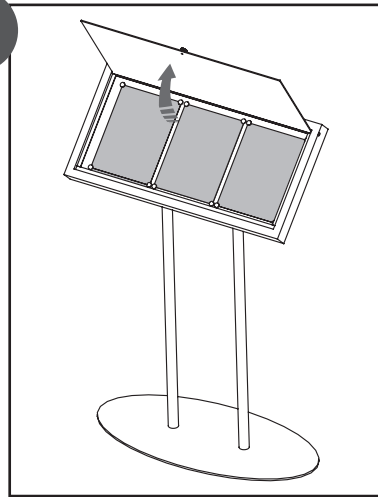
For setting-up the Restaurant Board, you must place its graphics (supplied separately) to the upper Magnetic Frame following the **next steps** describe below.

GRAPHIC ATTACHMENT

1



2



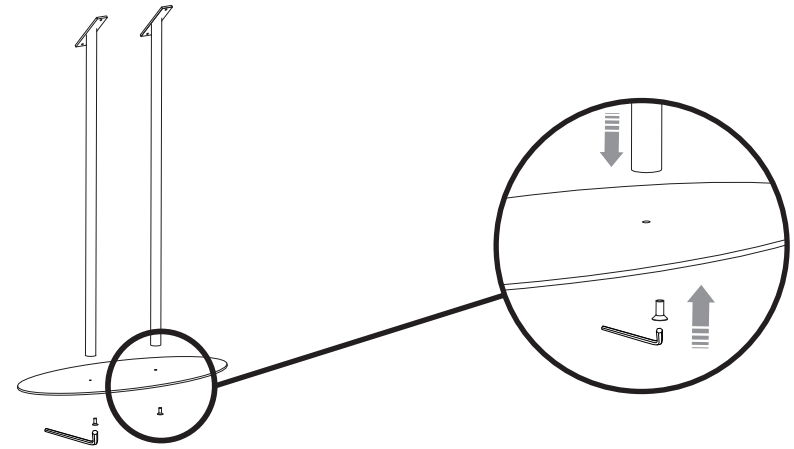
For those cases in which the graphic is **supplied by the client**, we recommend making use of the materials listed in the following **QR code** (scan for downloading Excel file). Please contact us or visit [www.cashdisplay.com](http://www.cashdisplay.com) for more information.



2. SET UP RESTAURANT BOARD STRUCTURE



1



2

