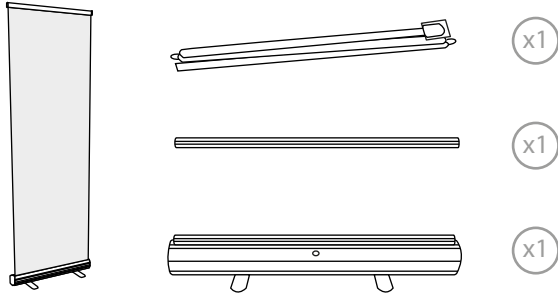


1. GRAPHIC UPPER ATTACHMENT



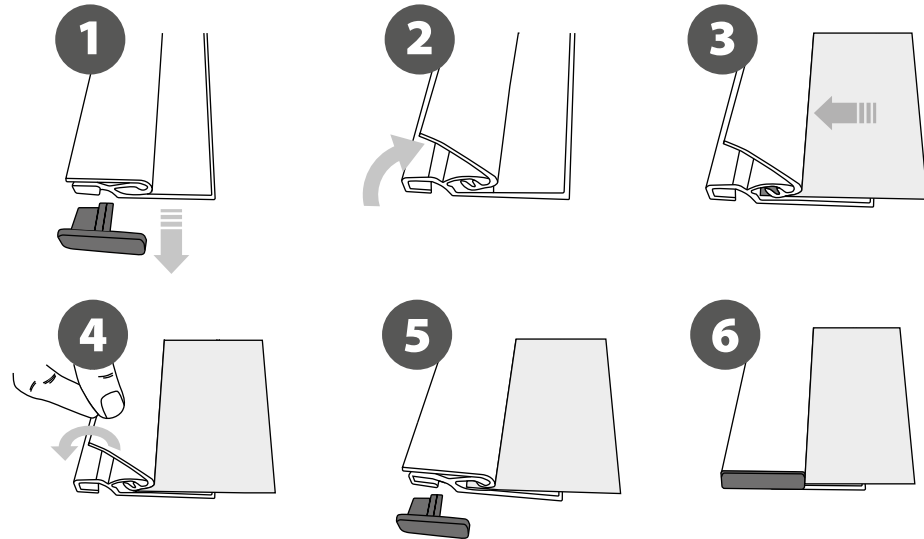
CONTENT



Open the bag, check the content of the bag and take out all the pieces carefully.

To set-up the Roll Up, first you must attach its graphic (supplied separately) to the upper profile following the next steps showed below.

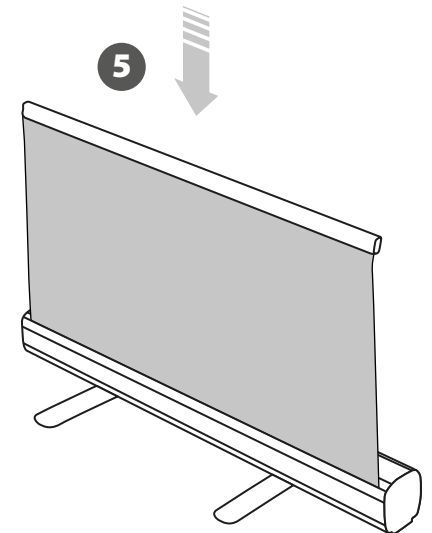
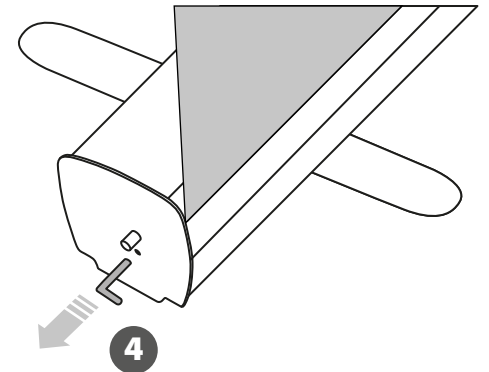
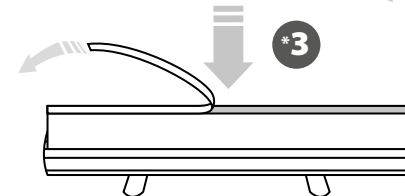
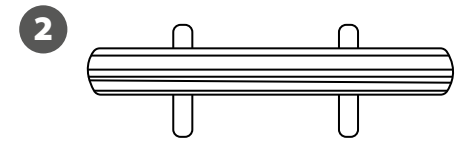
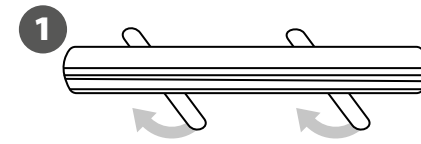
GRAPHIC ATTACHMENT BY SNAP RAIL



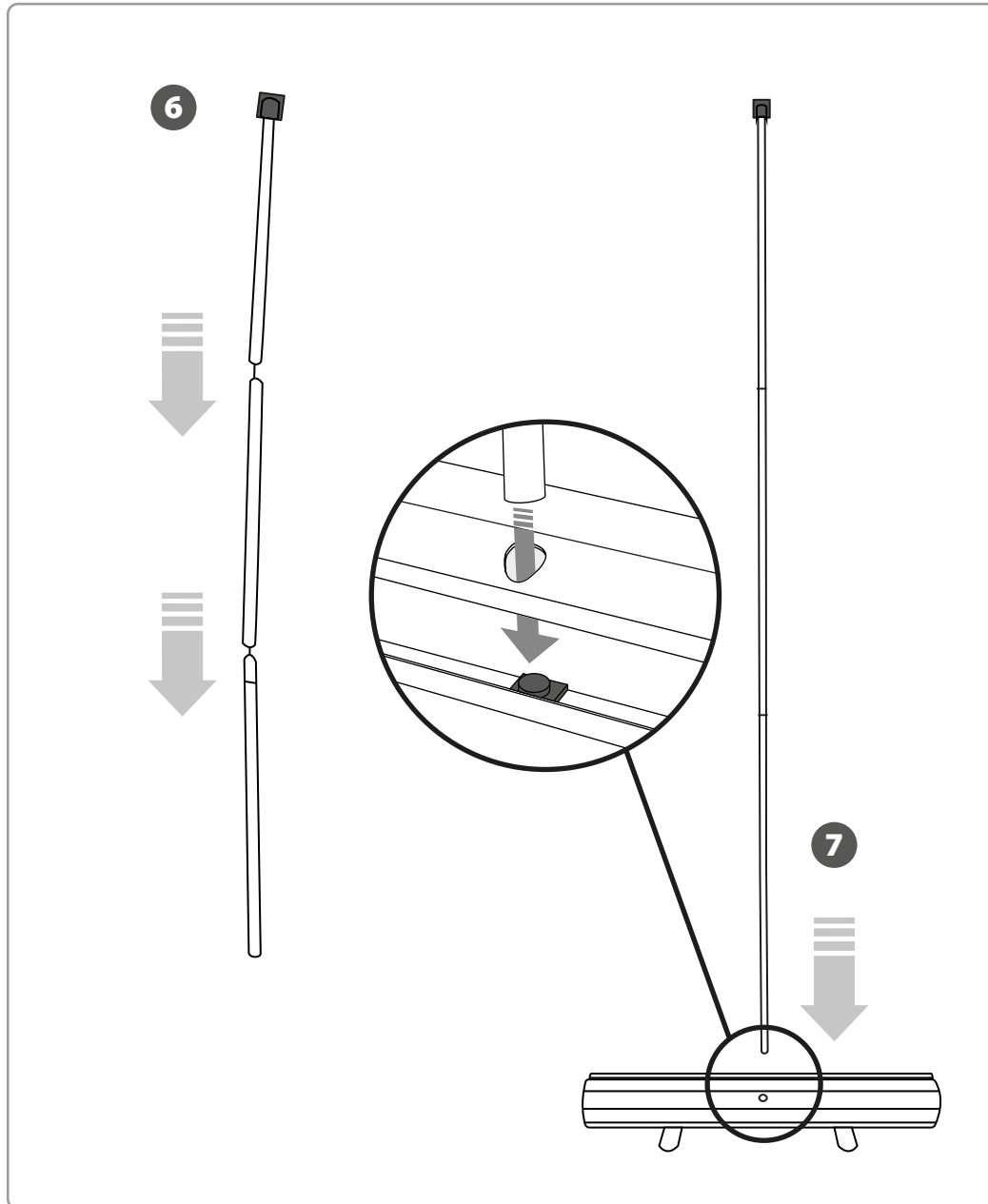
For those cases in which the graphic is **supplied by the client**, we recommend making use of the materials listed in the following **QR code** (scan for downloading Excel file). Please contact us or visit [www.cashdisplay.com](http://www.cashdisplay.com) for more information.



2. SET UP THE ROLL UP STRUCTURE



## 3. GRAPHIC BOTTOM ATTACHMENT



## 4. ROLLING UP THE GRAPHIC

