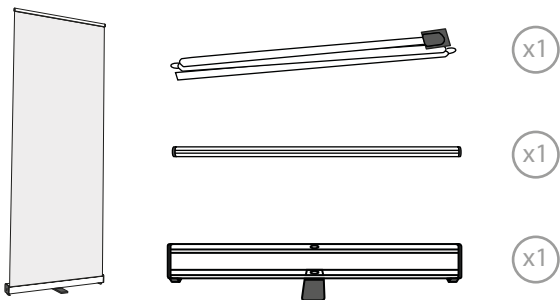


1. GRAPHIC UPPER ATTACHMENT



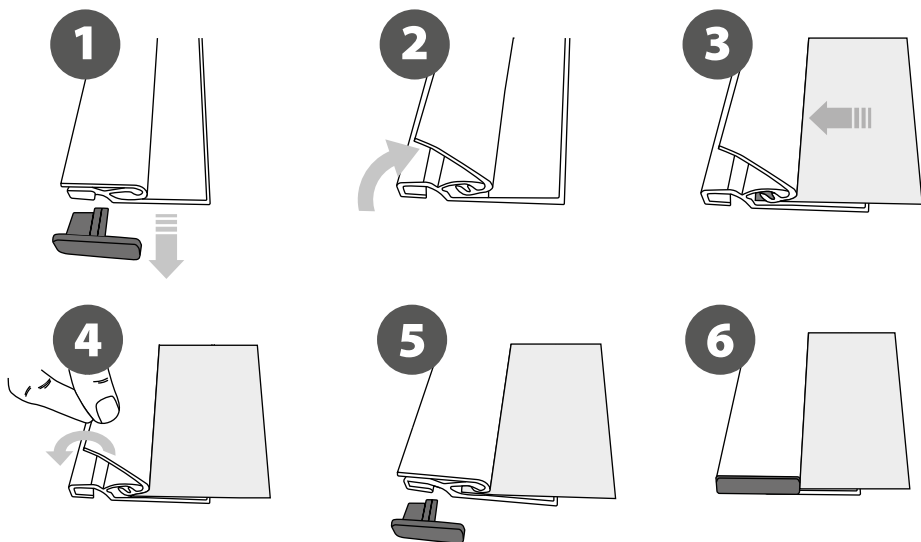
CONTENT



Open the bag, check the content of the bag and take out all the pieces carefully.

To set-up the Roll Up, first you must attach its graphic (supplied separately) to the upper profile following the **next steps** showed below.

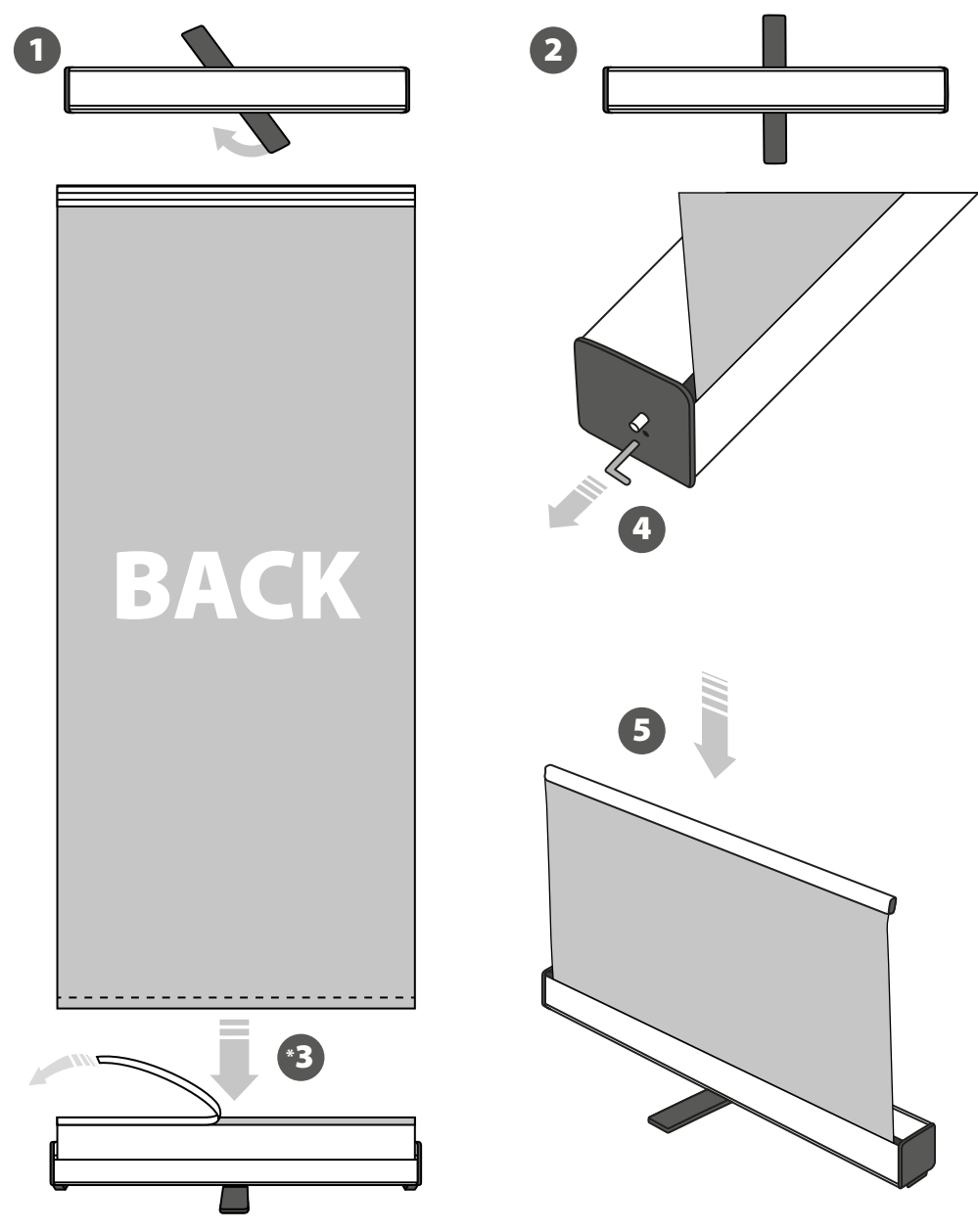
GRAPHIC ATTACHMENT BY SNAP RAIL



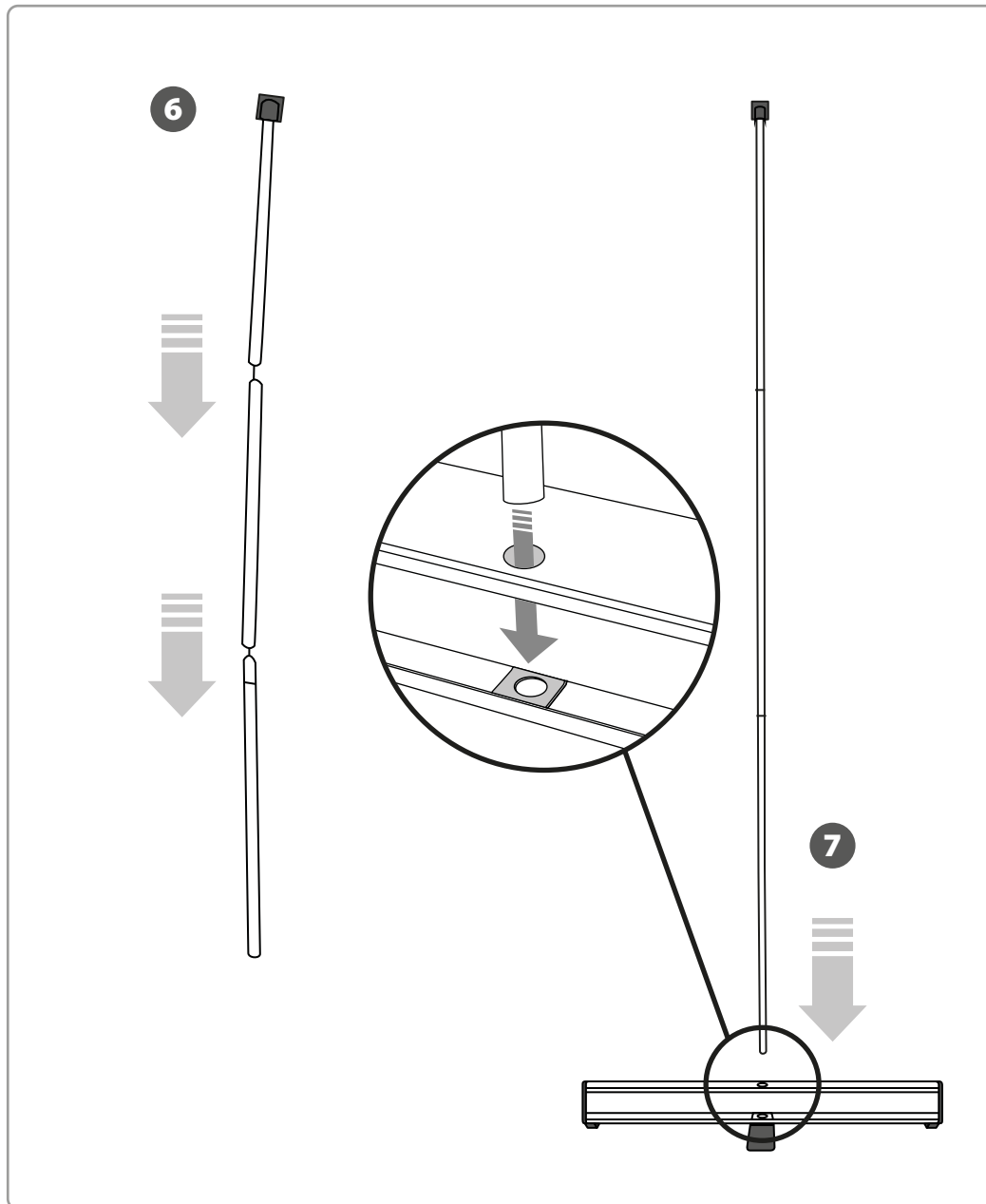
For those cases in which the graphic is **supplied by the client**, we recommend making use of the materials listed in the following **QR code** (scan for downloading Excel file). Please contact us or visit www.cashdisplay.com for more information.



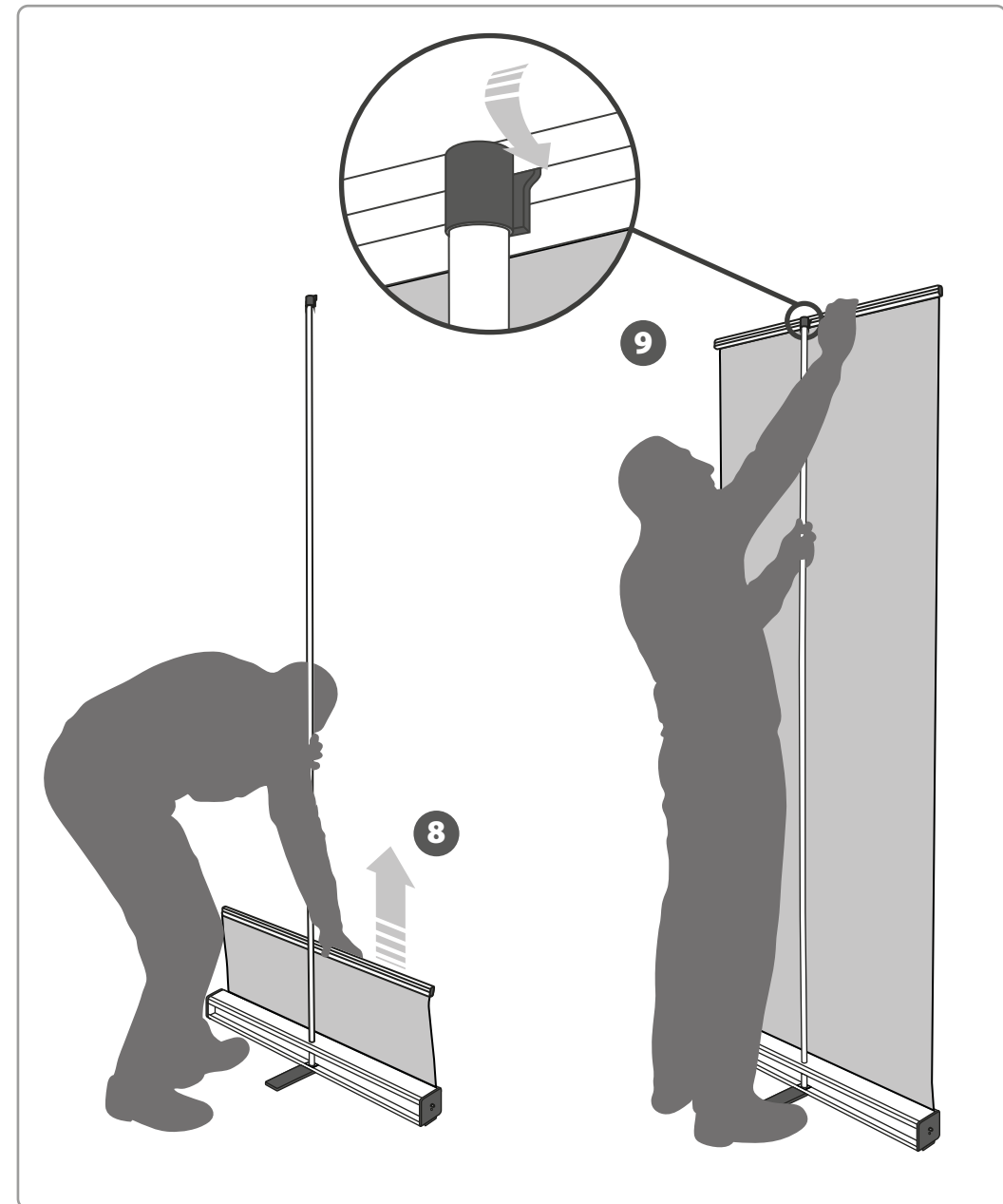
2. SET UP THE ROLL UP STRUCTURE



3. GRAPHIC BOTTOM ATTACHMENT

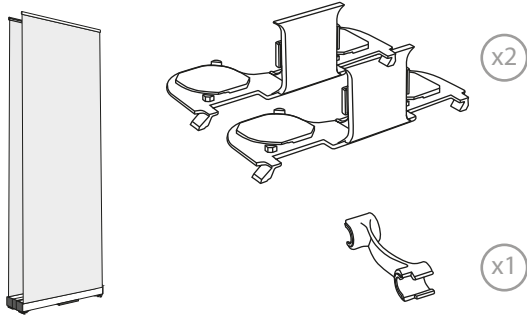


4. ROLLING UP THE GRAPHIC



1. SETTING UP ROLL UPS

 CONTENT



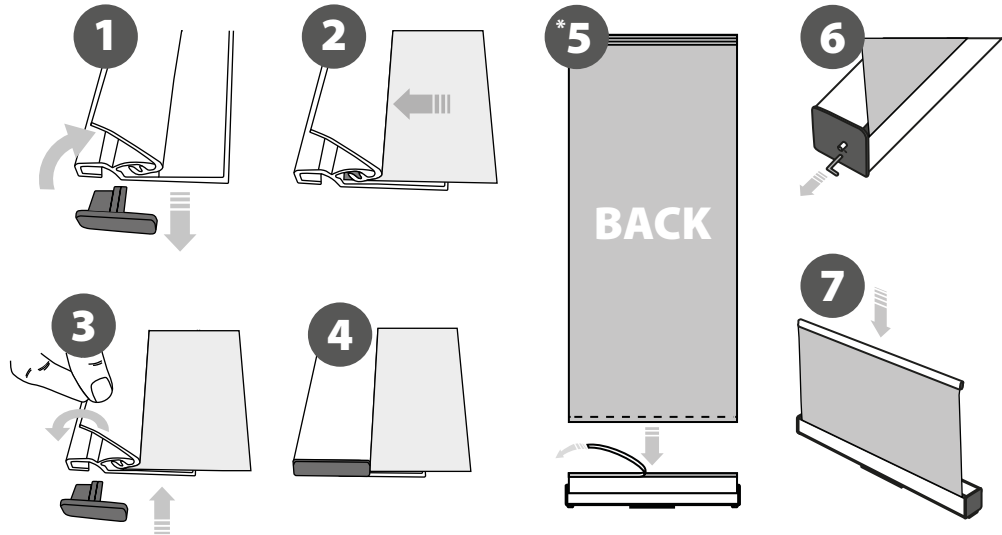
x2

x1

Open the bag, check the content of the bag and take out all the pieces carefully.

Before assemble this Double Sided Kit, you need two Torino Roll Ups (supplied separately) and follow the **steps** showed below to attach the graphic to each Roll Up.

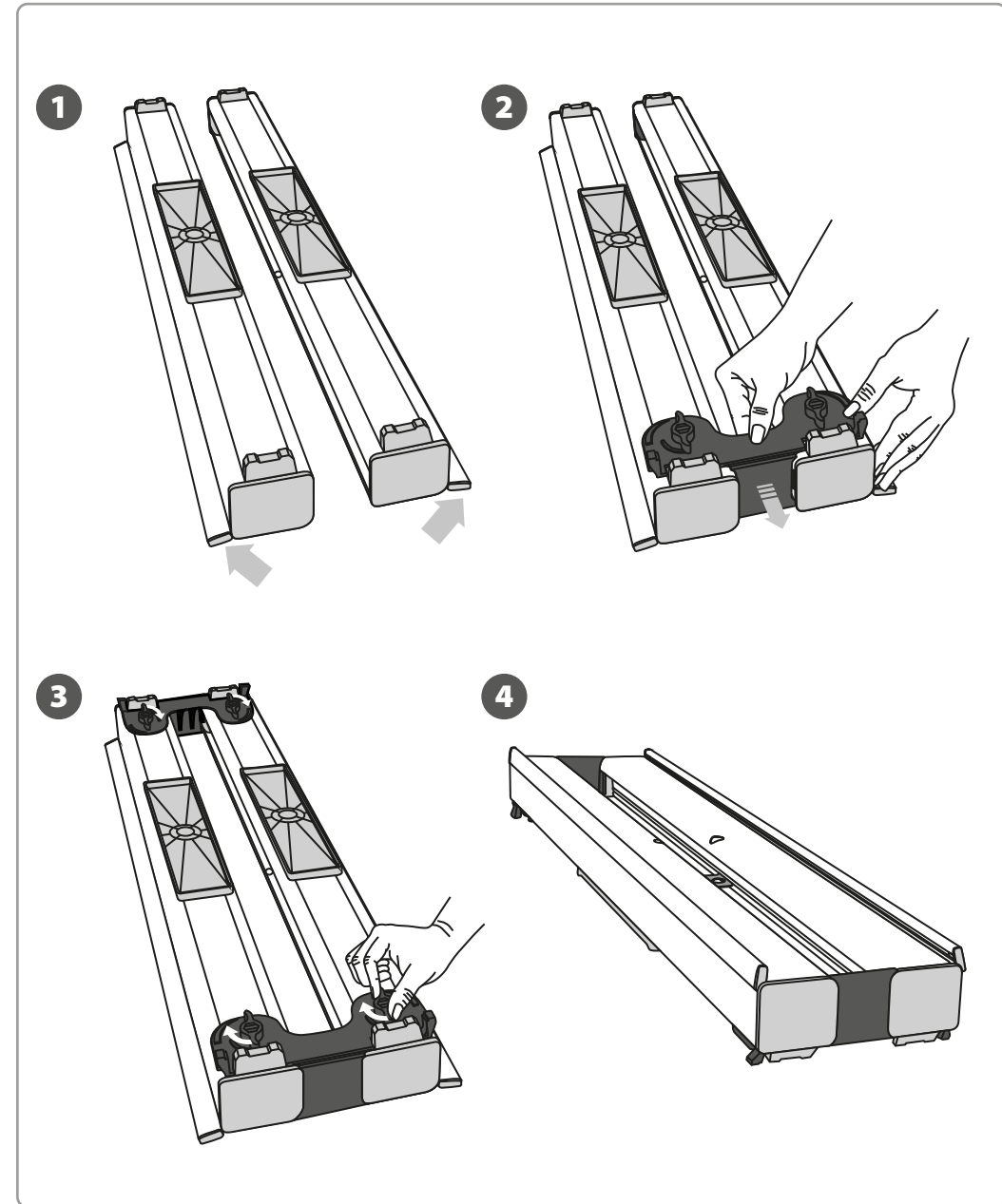
PREVIOUS GRAPHIC ATTACHMENT OF EACH ROLL UP



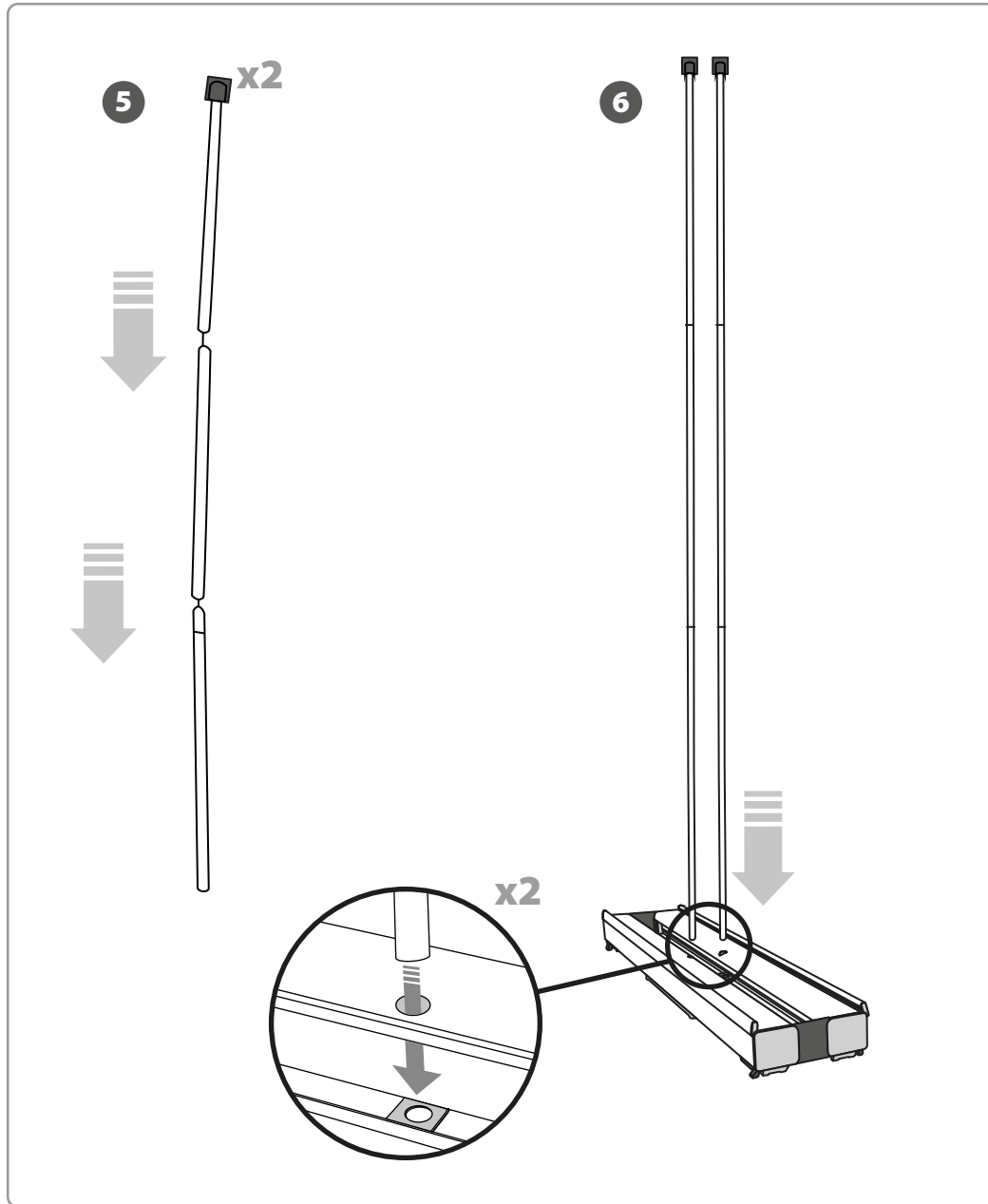
For those cases in which the graphic is **supplied by the client**, we recommend making use of the materials listed in the following **QR code** (scan for downloading Excel file). Please contact us or visit www.cashdisplay.com for more information.



2. JOINING OF TWO BASES



3. GRAPHIC BOTTOM ATTACHMENT



4. ROLLING UP THE GRAPHIC

