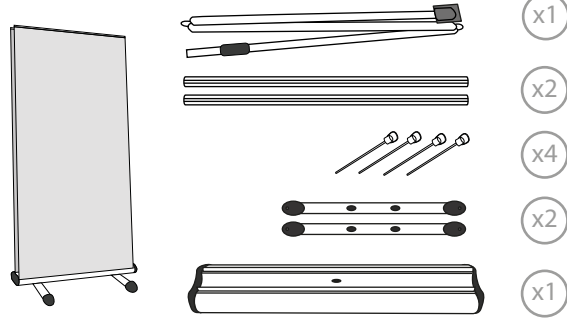


1. GRAPHIC UPPER ATTACHMENT



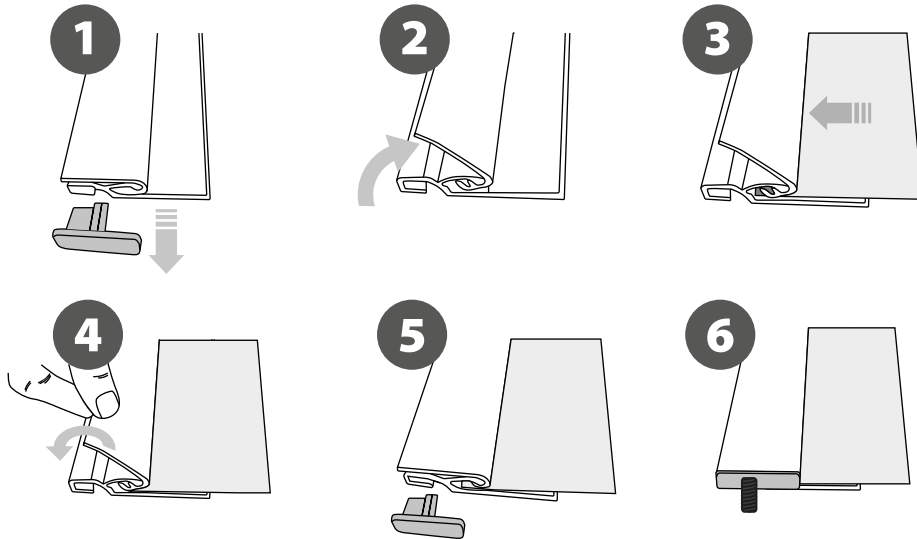
CONTENT



Open the bag, check the content of the bag and take out all the pieces carefully.

To set-up the Roll Up, first you must attach its graphic (supplied separately) to the upper profile following the **next steps** showed below.

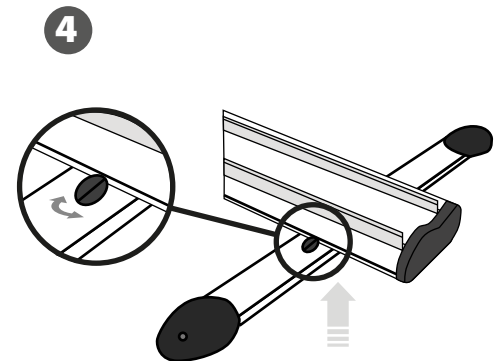
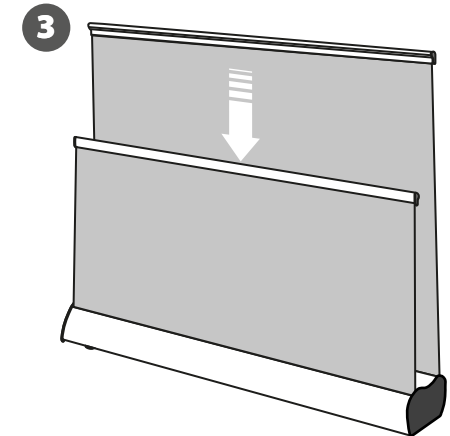
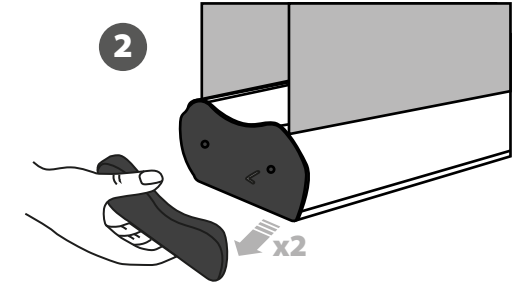
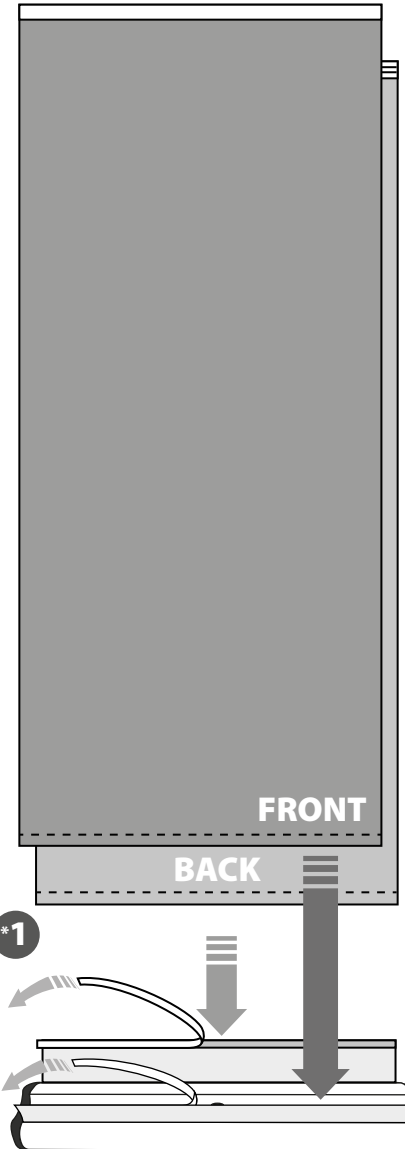
GRAPHIC ATTACHMENT BY SNAP RAIL



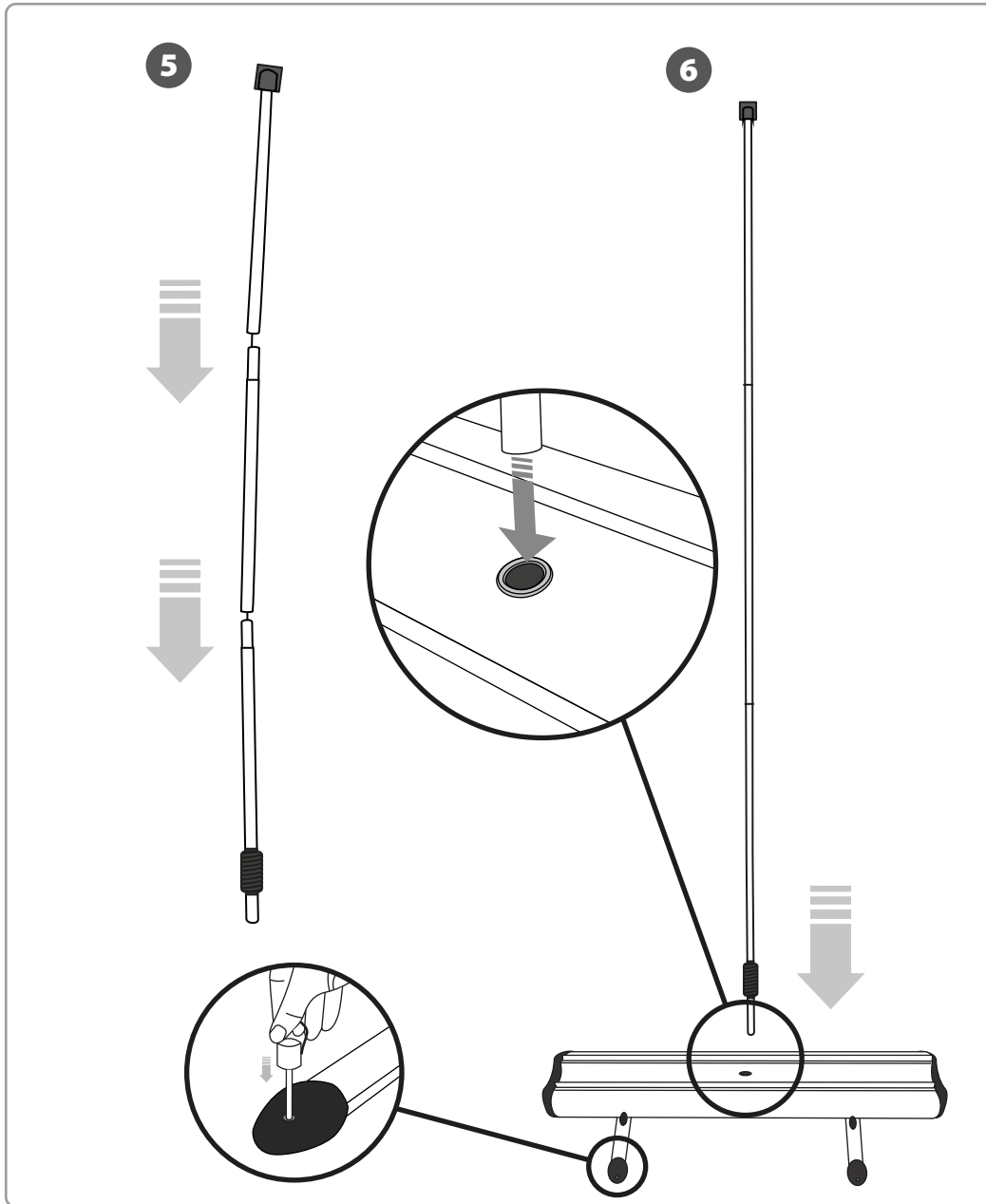
For those cases in which the graphic is **supplied by the client**, we recommend making use of the materials listed in the following **QR code** (scan for downloading Excel file). Please contact us or visit [www.cashdisplay.com](http://www.cashdisplay.com) for more information.



2. GRAPHIC BOTTOM ATTACHMENT



3. SET UP THE ROLL UP STRUCTURE



4. ROLLING UP THE GRAPHIC

