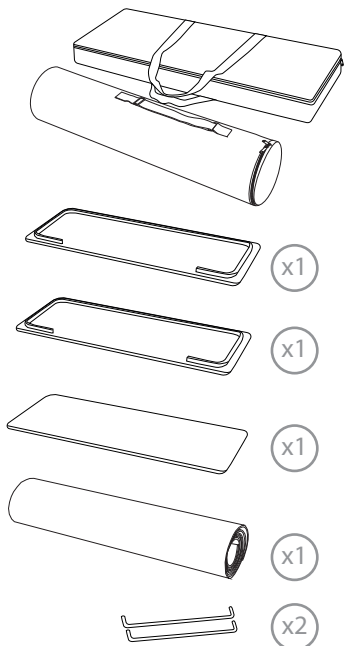


1. GRAPHIC ATTACHMENT



CONTENT



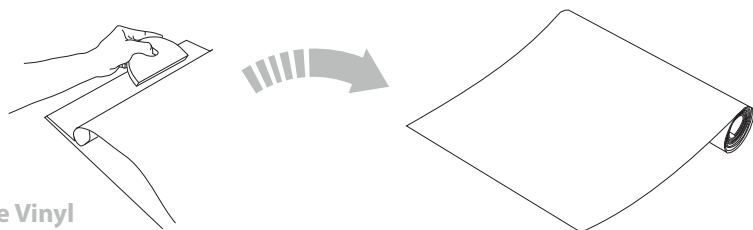
Open the bag, check the content of the bag and take out all the pieces carefully.

To set-up the Promotion counter firstly attach the graphic as show in the picture.

Place the base on the ground and start the application of the flexible panel around the base so that they match both velcro strips. Once the panel is set around the entire base, place the countertop.

Then place the metal stops on the inner recesses. Finally place the inner shelf on the metal stops.

GRAPHIC ATTACHMENT



Adhesive Vinyl

For those cases in which the graphic is **supplied by the client**, we recommend making use of the materials listed in the following **QR code** (scan for downloading Excel file). Please contact us or visit www.cashdisplay.com for more information.



2. SET UP THE STRUCTURE

