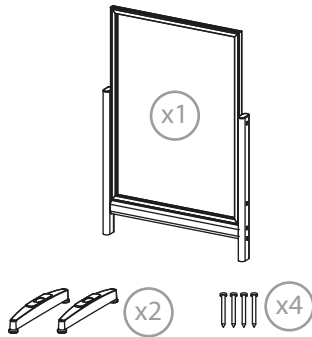
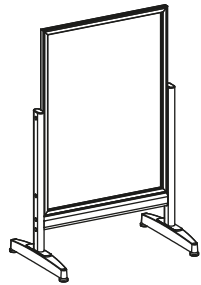


1. GRAPHIC + RIGID PANEL PLACEMENT



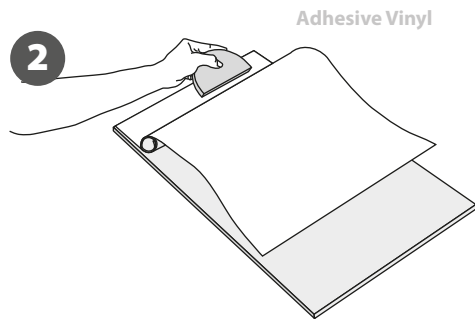
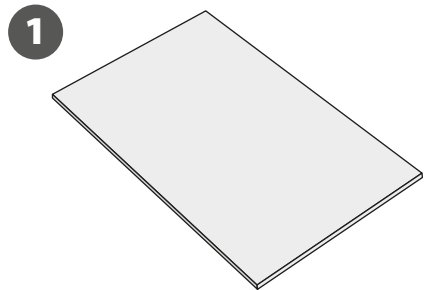
 CONTENT



Open and check the content of the boxes and take out all the pieces carefully.

For setting-up the Sidewalk Board, you must place its graphics on a rigid panel (both supplied separately). Maximum thickness of 9mm of graphics + panel.

GRAPHIC ATTACHMENT ON A RIGID PANEL



Adhesive Vinyl

For those cases in which the graphic is **supplied by the client**, we recommend making use of the materials listed in the following **QR code** (scan for downloading Excel file). Please contact us or visit [www.cashdisplay.com](http://www.cashdisplay.com) for more information.



2. SET UP SIDEWALK BOARD STRUCTURE

