

1. GRAPHIC PLACEMENT



CONTENT

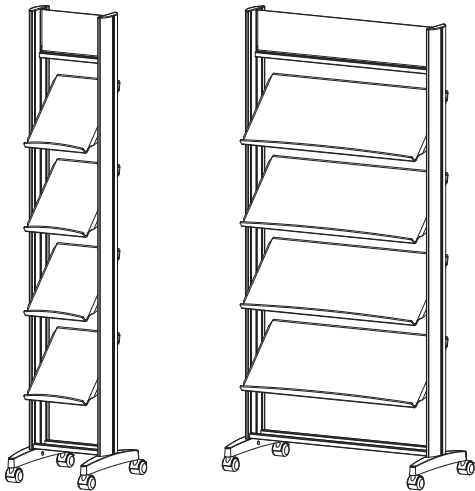
Open and check the content of the boxes and take out all the pieces carefully.

Verona stand is made of aluminium with acrylic shelves. There are two versions of the stand depending on the length. Also it has a top acrylic header for graphic and wheels.

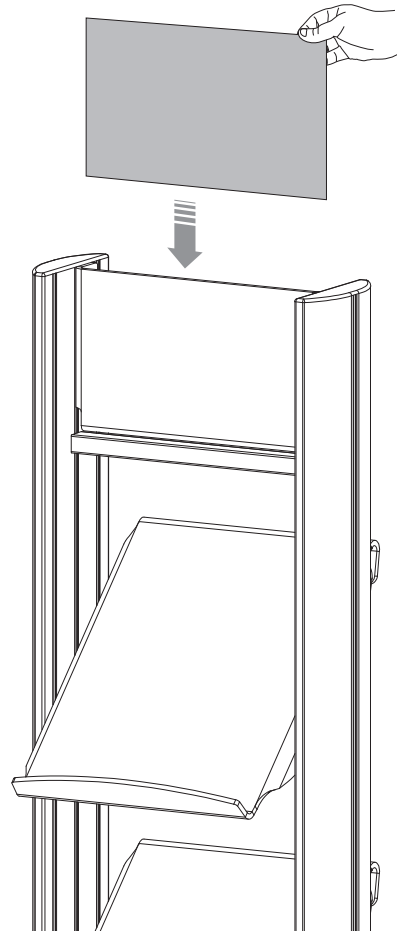
For setting-up the top acrylic header, you must place its graphics (supplied separately) following the next steps.

10.217

10.218



GRAPHIC ATTACHMENT BY SANDWICH



For those cases in which the graphic is **supplied by the client**, we recommend making use of the materials listed in the following **QR code** (scan for downloading Excel file). Please contact us or visit www.cashdisplay.com for more information.



2. SET UP LITERATURE STAND STRUCTURE

