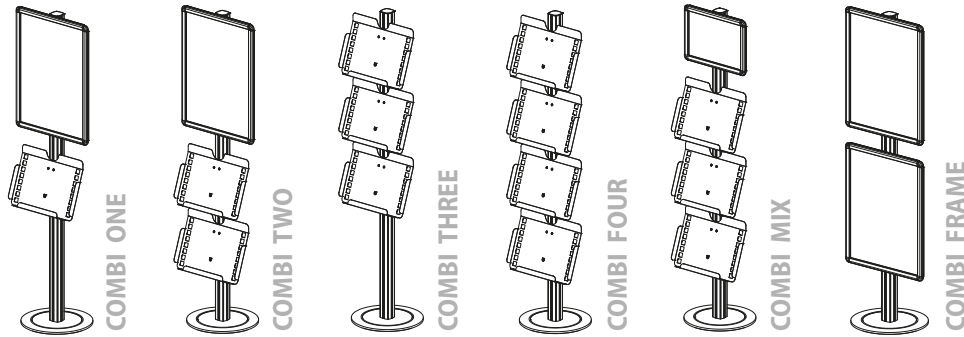


1. GRAPHIC + ANTIREFLECTION PROTECTOR PLACEMENT



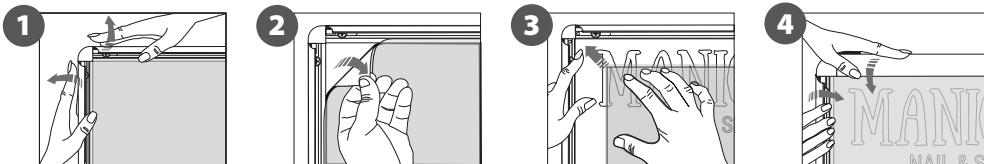
CONTENT

Open and check the content of the boxes and take out all the pieces carefully. The Combi Click Stand System consists of an aluminium pole profile, a solid 8kg steel base and multiple possible configurations to choose from, featuring the number of literature holders trays, the possibility of incorporating one or more upper Click system frames with antireflex cover. Mount the pole with the round base first, then for setting-up frame, you must place its graphics (supplied separately) to the Click Frame following the next steps. Then hang the frames or holders to the post with the skids and screws (are included).



\* ALL THESE REFERENCES HAVE THEIR POSSIBLE DOUBLE-SIDED VERSION \*

GRAPHIC ATTACHMENT BY CLICK FRAME



For those cases in which the graphic is **supplied by the client**, we recommend making use of the materials listed in the following **QR code** (scan for downloading Excel file). Please contact us or visit [www.cashdisplay.com](http://www.cashdisplay.com) for more information.



2. SET UP FRAME STRUCTURE SYSTEM

