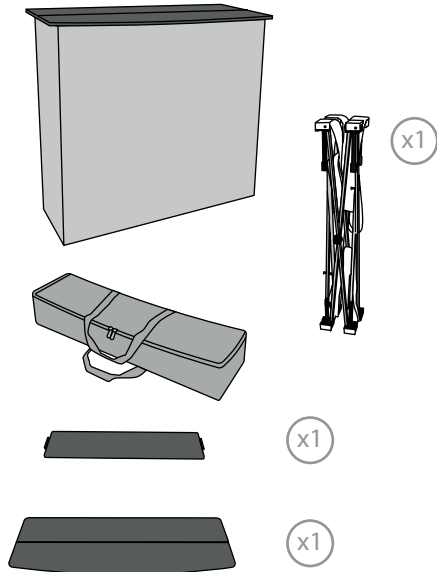


1. GRAPHIC ATTACHMENT



CONTENT



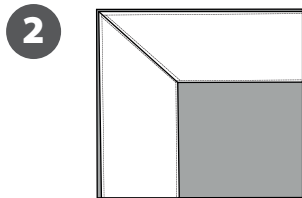
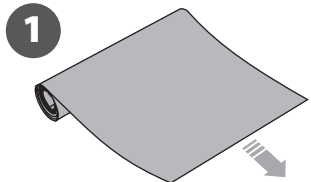
Open the bag, check the contents of the bag and remove all the parts carefully.

To set up the promotion counter, you must first attach a Velcro tape to your graphic (supplied separately).

Open the structure by pulling sideways. Then close the adjustment mechanisms. Once the frame is snug, the shelf and countertop cover must be secured.

To finish configure your graphic by matching both sides of the Velcro.

GRAPHIC ATTACHMENT



Canvas Frontlit
o Polyester Textil

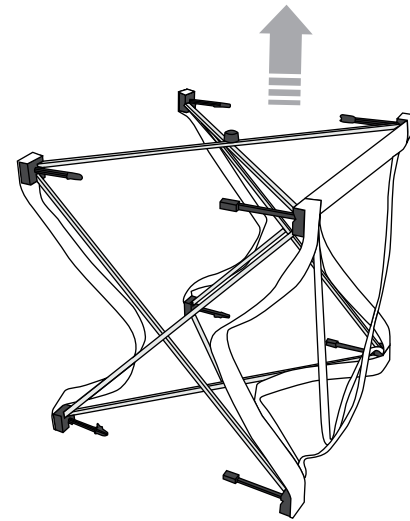
For those cases in which the graphic is **supplied by the client**, we recommend making use of the materials listed in the following **QR code** (scan for downloading Excel file). Please contact us or visit www.cashdisplay.com for more information.



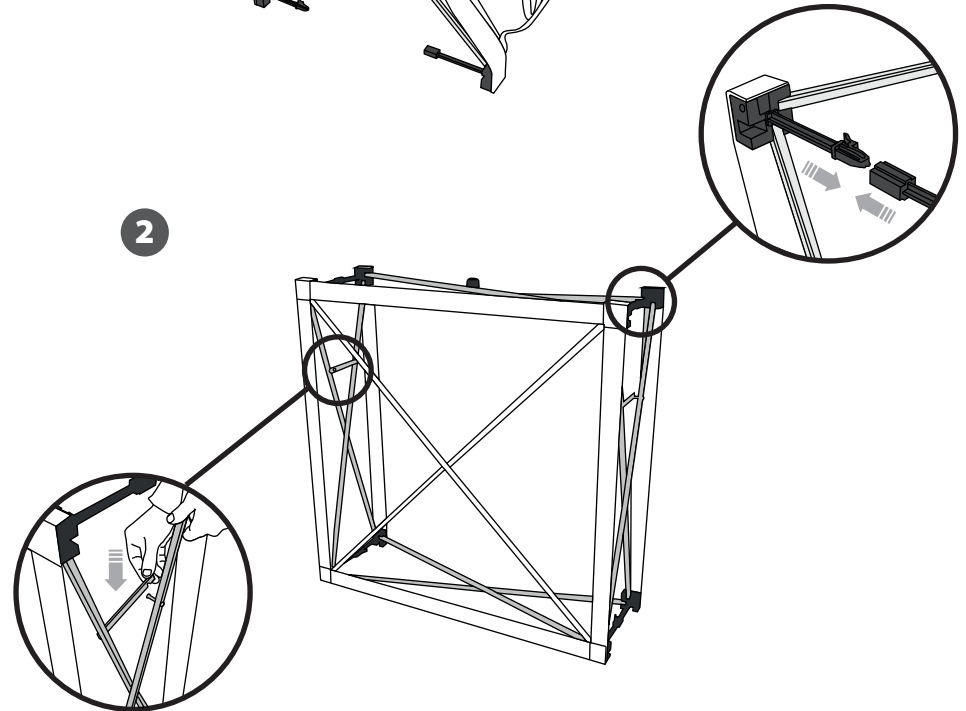
2. SET UP THE STRUCTURE



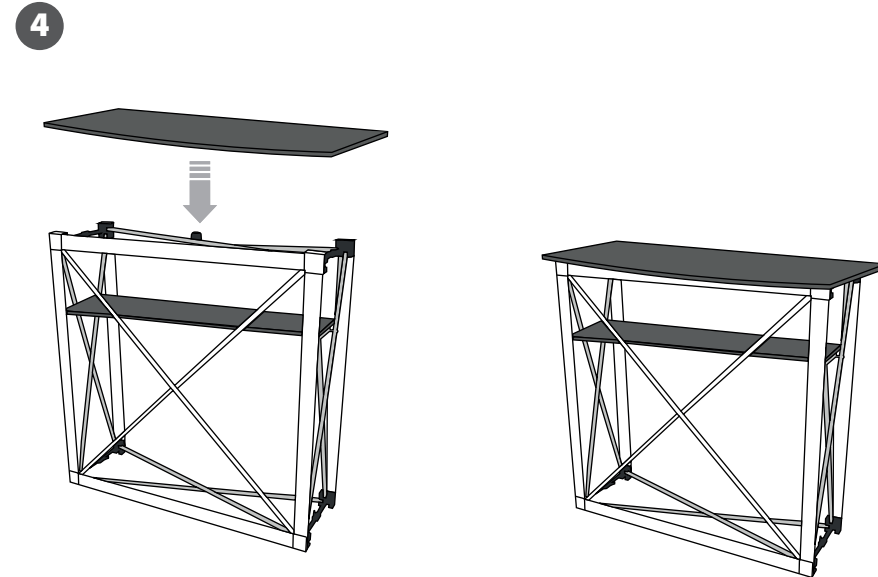
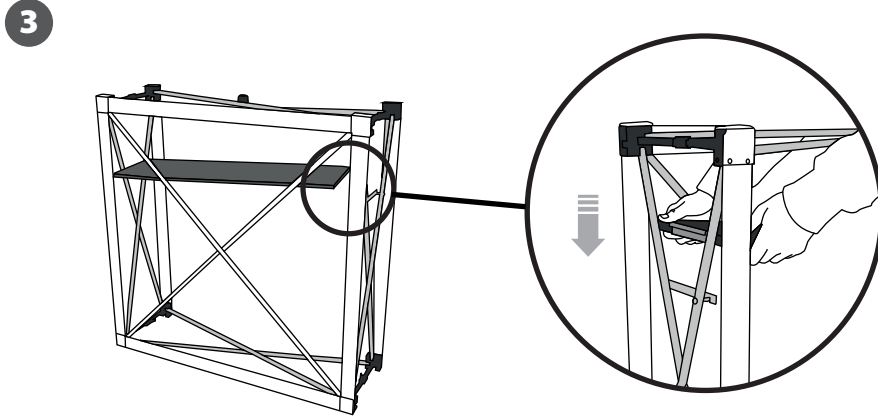
1



2



3. SET UP COUNTER TOP AND THE SHELF



2. SET UP THE GRAPHIC

