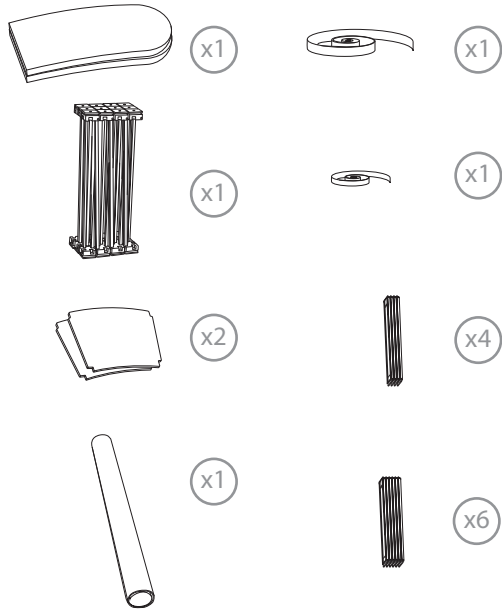


1. CONTENT



CONTENT

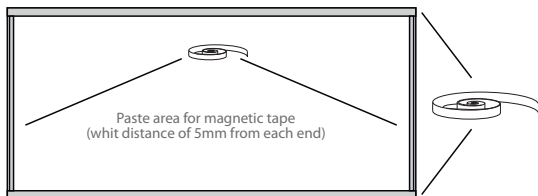


Open the transport bag, check the bag content and take out all of the pieces carefully.

To assembly the promotional counter, first, unfold the structure and fix it with the connections. The 4 magnetic connections must be placed in the back. Next, install the interior shelf that consists of 2 sections.

Finally, unfold the superior shelf and place it in the superior side of the promotional counter.

GRAPHIC ATTACHMENT



To install the graphic support, stick the big adhesive and magnetic strip (included) to the superior and inferior side of the graphic, then, stick the small strip to the sides 5mm from the edge. The final step is wrap it with the counter magnetically.

For those cases in which the graphic is **supplied by the client**, we recommend making use of the materials listed in the following **QR code** (scan for downloading Excel file). Please contact us or visit www.cashdisplay.com for more information.



2. SET UP THE STRUCTURE

